



THE i3 Touch™

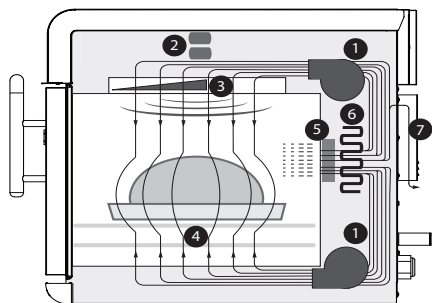


PERFORMANCE

Utilizing TurboChef's patented technology to rapidly cook food without compromising quality, the i3 Touch oven provides superior cooking performance while requiring less space and consuming less energy.

VENTILATION

- UL (KNLZ) listed for ventless operation.[†]
- EPA 202 test (8 hr):
 - Product: Pepperoni Pizzas
 - Results: 0.32 mg/m³
 - Ventless Requirement: <5.00 mg/m³
- Internal catalytic filtration to limit smoke, grease, and odor emissions.



1. Blower Motors
2. Microwave System
3. Stirred Impinged Air (Top) and Microwave
4. Impinged Air (Bottom)
5. Catalytic Converter
6. Impingement Heater
7. Vent Tube Catalyst

Project _____

Item No. _____

Quantity _____

EXTERIOR CONSTRUCTION

- Two-tone stainless steel front, top and sides
- 304 stainless steel removable grease collection pan
- Ergonomic door handle
- Rubber seal for surface mounting
- Side hand grips for lifting
- 7-inch capacitive touch screen with tempered glass cover

INTERIOR CONSTRUCTION

- 304 stainless steel
- Fully insulated cook chamber
- Removable rack
- Top and bottom jetplates

STANDARD FEATURES

- Simple and intuitive touch controls
- Integral recirculating catalytic converter for UL (KNLZ) listed ventless operation
- Independently-controlled dual motors for vertically-recirculated air impingement
- Top-launched microwave system
- Stirrer to help ensure even distribution of air and microwave
- External air filtration
- Smart menu system capable of storing up to 200 recipes
- Flash firmware updates via USB
- Programmable via USB
- Single or multiple-temperature interface
- Smart Voltage Sensor Technology* (U.S. only)
- Vent catalyst to further limit emissions
- Self-diagnostics for monitoring oven components and performance
- Stackable (requires stacking stand)
- Field-configurable for single or 3-phase operation
- Includes plug and cord (6 ft. nominal)
- Warranty – 1 year parts and labor

COMES WITH STANDARD ACCESSORIES

- 1 Aluminum Paddle (NGC-1478)
- 1 Bottle Oven Cleaner (103180)
- 1 Bottle Oven Guard (103181)
- 2 Trigger Sprayers (103182)
- 2 PTFE Baskets (NGC-1331)



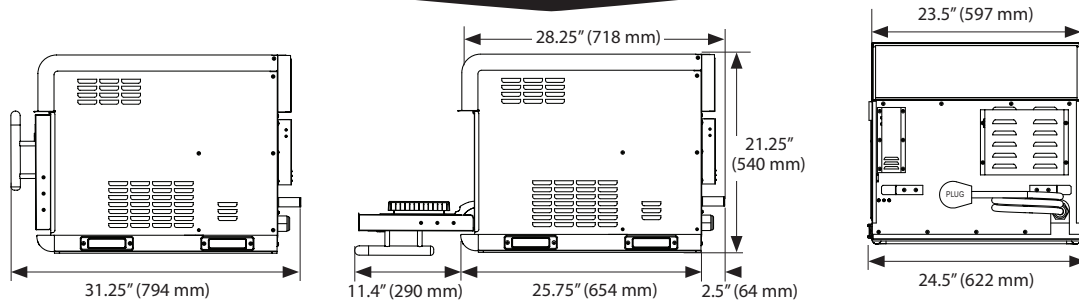
This product conforms to the ventilation recommendations set forth by NFPA96 using EPA202 test method.

* Smart Voltage Sensor Technology does not compensate for lack of or over voltage situations. It is the responsibility of the owner to supply voltage to the unit according to the specifications on the back of this sheet.

[†] Ventless certification is for all food items except for foods classified as "fatty raw proteins." Such foods include bone-in, skin-on chicken, raw hamburger meat, raw bacon, raw sausage, steaks, etc. If cooking these types of foods, consult local HVAC codes and authorities to ensure compliance with ventilation requirements.

Ultimate ventless allowance is dependent upon AHJ approval, as some jurisdictions may not recognize the UL certification or application. If you have questions regarding ventless certifications or local codes please email ventless.help@turbochef.com

TurboChef reserves the right to make substitutions of components or change specifications without prior notice.



DIMENSIONS

| | | |
|--|-----------------|-----------------|
| Single Units | | |
| Height | 21.25" | 540 mm |
| Width | 24.5" | 622 mm |
| Depth | 31.25" | 794 mm |
| Weight | 245 lb. | 111 kg |
| Cook Chamber | | |
| Height | 6.9" | 175 mm |
| Width | 19.4" | 493 mm |
| Depth (Door Open / Closed) | 14.75" / 12.75" | 375 mm / 324 mm |
| Volume | 1.14 cu.ft. | 32.3 liters |
| Wall Clearance (Oven not intended for built-in installation) | | |
| Top | 19" | 483 mm |
| Sides | 2" | 51 mm |

ELECTRICAL SPECIFICATIONS-SINGLE PHASE

| | | |
|--|-----------------|--|
| i3 US Model (i3-9500-401) - United States | | |
| Voltage | 208/240 VAC | |
| Frequency | 60 Hz | |
| Current (Max Circuit Requirement) | 40 amp (40 amp) | |
| Max Input | 8300/9600 watts | |
| i3 UK Model (i3-9500-402-UK) - United Kingdom | | |
| Voltage | 230 VAC | |
| Frequency | 50 Hz | |
| Current (Max Circuit Requirement) | 40 amp (62 amp) | |
| Max Input | 9200 watts | |
| i3 BK Model (i3-9500-406-BK) - Brazil | | |
| Voltage | 220 VAC | |
| Frequency | 60 Hz | |
| Current (Max Circuit Requirement) | 40 amp (50 amp) | |
| Max Input | 8800 watts | |
| i3 LA Model (i3-9500-407-LA) - Latin America | | |
| Voltage | 220 VAC | |
| Frequency | 60 Hz | |
| Current (Max Circuit Requirement) | 40 amp (50 amp) | |
| Max Input | 8800 watts | |
| i3 JK Model - 50 Hz (i3-9500-408-JK) - Japan 60 Hz (i3-9500-410-JK) - Japan | | |
| Voltage | 200 VAC | |
| Frequency | 50 Hz or 60 Hz | |
| Current (Max Circuit Requirement) | 40 amp (40 amp) | |
| Max Input | 8000 watts | |

ELECTRICAL SPECIFICATIONS-MULTI PHASE

| | | |
|--|-----------------|--|
| i3 DL Model (i3-9500-414-DL) - United States | | |
| Voltage | 208/240 VAC | |
| Frequency | 60 Hz | |
| Current (Max Circuit Requirement) | 24 amp (30 amp) | |
| Max Input | 8600/9900 watts | |

| | | |
|--|-----------------|--|
| i3 ED Model (i3-9500-403-ED) - International | | |
| Voltage | 230 VAC | |
| Frequency | 50 Hz | |
| Current (Max Circuit Requirement) | 24 amp (32 amp) | |
| Max Input | 9500 watts | |

| | | |
|--|-----------------|--|
| i3 EW Model (i3-9500-404-EW) - International | | |
| Voltage | 400 VAC | |
| Frequency | 50 Hz | |
| Current (Max Circuit Requirement) | 14 amp (20 amp) | |
| Max Input | 9500 watts | |

| | | |
|--|-----------------|--|
| i3 AU Model (i3-9500-405-AU) - Australia | | |
| Voltage | 400 VAC | |
| Frequency | 50 Hz | |
| Current (Max Circuit Requirement) | 14 amp (20 amp) | |
| Max Input | 9500 watts | |

| | | |
|--|-----------------|--|
| i3 JD Model - 50 Hz (i3-9500-409-JD) - Japan 60 Hz (i3-9500-411-JD) - Japan | | |
| Voltage | 200 VAC | |
| Frequency | 50 Hz or 60 Hz | |
| Current (Max Circuit Requirement) | 23 amp (30 amp) | |
| Max Input | 8000 watts | |

| | | |
|--|-----------------|--|
| i3 KW Model (i3-9500-412-KW) - Middle East & Korea | | |
| Voltage | 400 VAC | |
| Frequency | 60 Hz | |
| Current (Max Circuit Requirement) | 14 amp (20 amp) | |
| Max Input | 9500 watts | |

| | | |
|--|-----------------|--|
| i3 SD Model (i3-9500-413-SD) - Middle East & Korea | | |
| Voltage | 230 VAC | |
| Frequency | 60 Hz | |
| Current (Max Circuit Requirement) | 24 amp (30 amp) | |
| Max Input | 9200 watts | |

| | | |
|--|-----------------|--|
| i3 LD Model (i3-9500-415-LD) - Latin America | | |
| Voltage | 220 VAC | |
| Frequency | 60 Hz | |
| Current (Max Circuit Requirement) | 24 amp (30 amp) | |
| Max Input | 9100 watts | |

| | | |
|---------------------------------------|-----------------|--|
| i3 BD Model (i3-9500-416-BD) - Brazil | | |
| Voltage | 220 VAC | |
| Frequency | 60 Hz | |
| Current (Max Circuit Requirement) | 24 amp (30 amp) | |
| Max Input | 9100 watts | |

SHIPPING INFORMATION

U.S.: All ovens shipped within the U.S. are packaged in a double-wall corrugated box banded to a wooden skid.
 International: All International ovens shipped via Air or Less than Container Loads are packaged in wooden crates.

Box size: 34" (L) x 30" (W) x 32" (H) / 864 mm x 762 mm x 813 mm
 Crate size: 37" (L) x 33" (W) x 34" (H) / 940 mm x 838 mm x 864 mm
 Item class: 110 NMFC #26710 HS code 8419.81

Boxed weight: 290 lb. (132 kg) Crated weight: 365 lb. (166 kg)

Minimum entry clearance required for box: 30.5" (775 mm)
 Minimum entry clearance required for crate: 33.5" (851 mm)

TurboChef recommends installing a type D circuit breaker for European installations.
 TurboChef reserves the right to substitute components or change specifications without notice.
 © 2015-2017 TurboChef Technologies, Inc.